

TECHNICAL RIDER « The Angels Dance » sway poles duo

Duration : 15 mn – 3 performances maximum per day

Artists on tour :

- Kimberly Montels
- Guillaume Montels

Technical conditions :

The artists must be able to access the performance area, minimum 3 hours before the beginning of the show, to set up.

For sway poles setup and takedown, plan a 25 meters corridor.

Dismantling duration: 1h30

Flat and leveled performing surface

Clearance height 20 meters

Weather conditions : Wind force inferior to 40 km/h, no rain superior to drizzle or light rain.

To provide by the organizer :

- Barriers to delimit the area
- Sound System (CD player or USB key and sound diffusion system) and someone to start the music.
- Lighting System if performance is by night with a technician for setup and performance.
- Dressing room and Catering for the artists
- Parking for the equipment truck and trailer.
- Catering and accommodation for the artists during the whole period.
- **An escort at convoy arrival, from the city entrance to the show area.**

Vehicle dimensions :

Trailer: L x W x H = 7,6m x 2,1m x 2,4m

Weight: 2 tons

Tractor: L x W x H = 6m x 2,3m x 3m

Weight : 3,4 tons

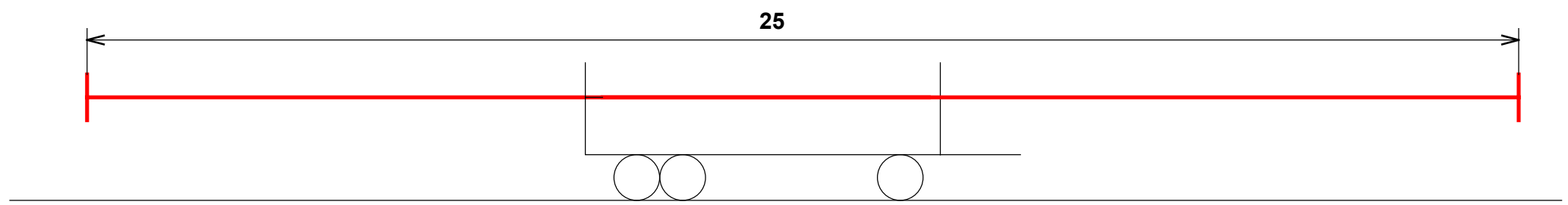
For further precisions or adaptation needs, please contact :

Guillaume Montels (06 26 86 90 30)

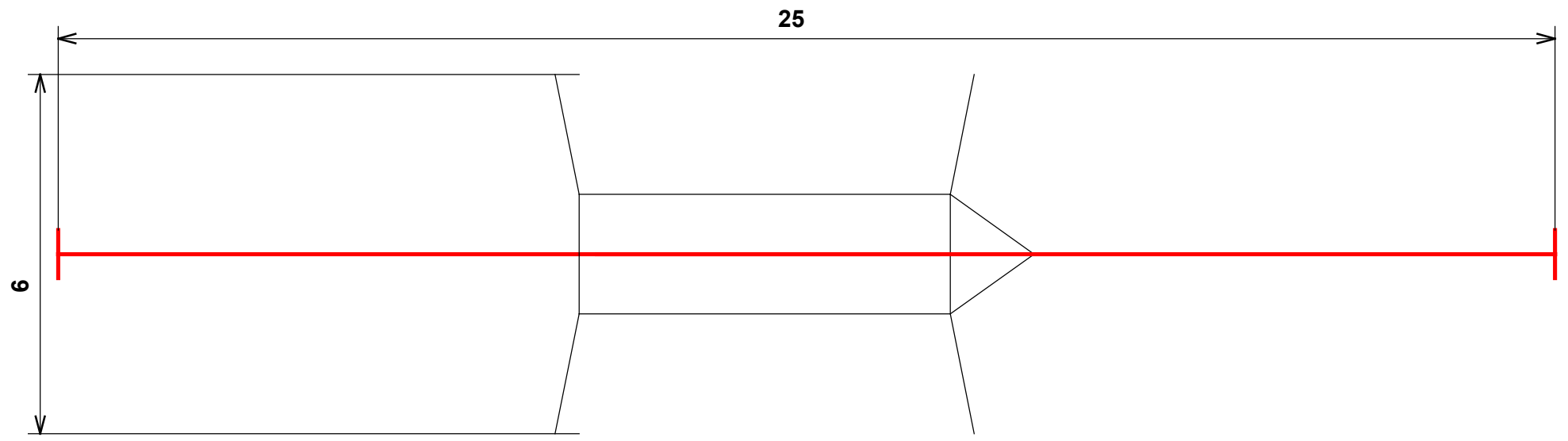
Emprise au sol : Montage et démontage

L x l = 25m x 6m

Vue de profil



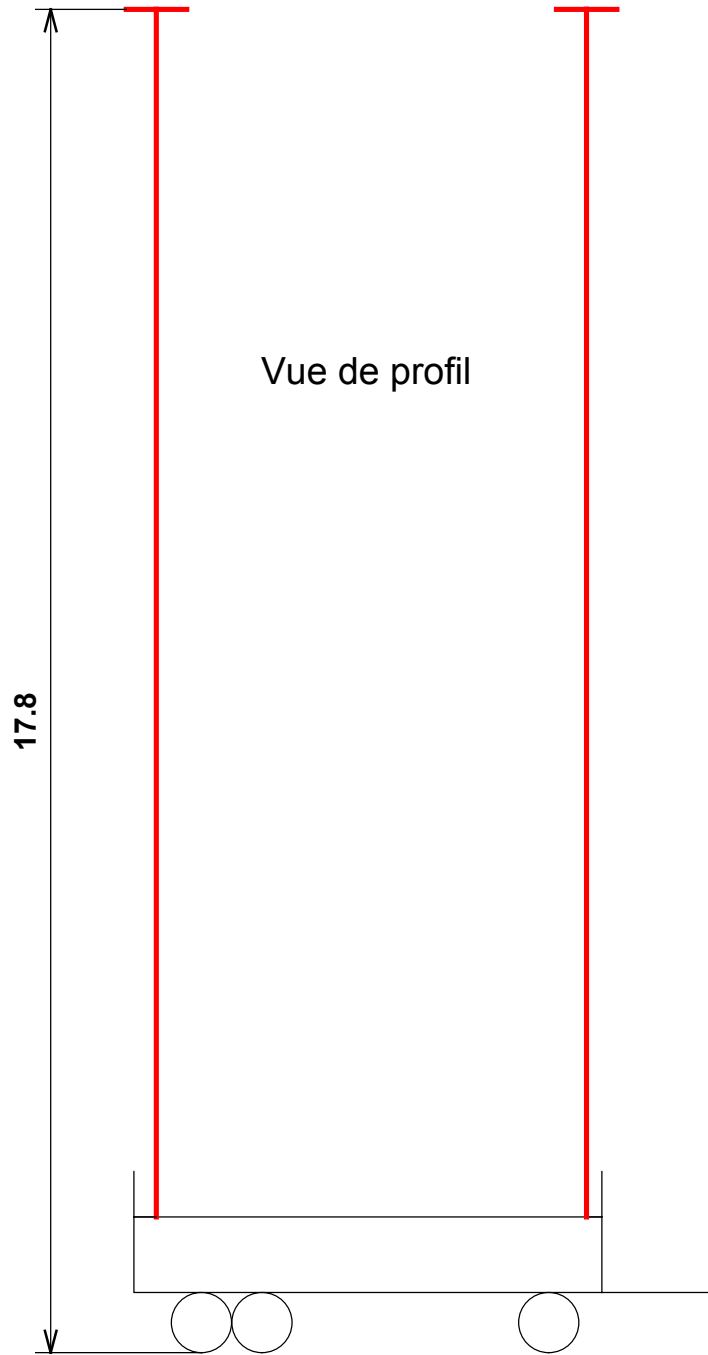
Vue de dessus



Emprise au sol : Spectacle

L x l x H = 8m x 6m x 20m

Vue de profil



Vue de dessus

